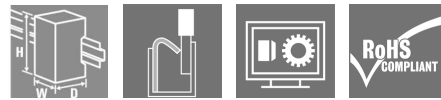


Automation Products - u-remote IP20 UR20-4AI-RTD-DIAG

Weidmüller Interface GmbH & Co. KG
Klingenbergstraße 26
D-32758 Detmold
Germany
Fon: +49 5231 14-0
Fax: +49 5231 14-292083
www.weidmueller.com

Product image



Available for TC and RTD; 16-bit resolution; 50/60 Hz suppression

The involvement of thermocouple and resistance-temperature sensors is indispensable for a variety of applications. Weidmüller's 4-channel input modules are suited for all common thermocouple elements and resistance temperature sensors. With an accuracy of 0.2% of the measurement-range end value and a resolution of 16 bit, cable break and values above or below the limit value are detected by means of individual channel diagnostics. Additional features such as an automatic 50 Hz to 60 Hz suppression or external as well as internal cold-junction compensation, as available with the RTD module, round off the scope of function.

The module electronics supply the connected sensors with power from the input current path (U_{IN}).

General ordering data

Type	UR20-4AI-RTD-DIAG
Order No.	1315700000
Version	Remote I/O module, IP20, Analog signals, Temperature, RTD
GTIN (EAN)	4050118118872
Qty.	1 pc(s).

**Automation Products - u-remote IP20
UR20-4AI-RTD-DIAG**

Weidmüller Interface GmbH & Co. KG
 Klingenbergstraße 26
 D-32758 Detmold
 Germany
 Fon: +49 5231 14-0
 Fax: +49 5231 14-292083
 www.weidmueller.com

Technical data**Dimensions and weights**

Width	11.5 mm	Width (inches)	0.453 inch
Height	120 mm	Height (inches)	4.724 inch
Depth	76 mm	Depth (inches)	2.992 inch
Mounting dimension - height	128 mm	Net weight	91 g

Temperatures

Operating temperature, max.	60 °C	Operating temperature, min.	-20 °C
Storage temperature, max.	85 °C	Storage temperature, min.	-40 °C
Operating temperature	-20 °C ... +60 °C	Storage temperature	-40 °C ... +85 °C

Environmental Product Compliance

REACH SVHC	Lead 7439-92-1
------------	----------------

analogue inputs

Accuracy	0.2% FSR / 0.3% FSR for Ni sensors / 0.6% FSR for Cu10	Conversion time	adjustable, 36...240 ms
Individual channel diagnosis	Yes	Internal resistance U	1 MΩ
Module diagnosis	Yes	Number of analogue inputs	4
Resolution	16 Bit	Reverse polarity protection	Yes
Sensor connection	2-wire, 3-wire, 4-wire	Temperature coefficient	≤ 50 ppm/K
Type	Pt100, Pt200, Pt500, Pt1000, Ni100, Ni120, Ni 200, Ni500, Ni1000, Cu10, 40Ω, 80Ω, 150Ω, 300Ω, 500Ω, 1kΩ, 2kΩ, 4kΩ		

Connection data

Type of connection	PUSH IN	Wire connection cross section, finely stranded, max.	1.5 mm ²
Wire connection cross-section, finely stranded, min.	0.14 mm ²	Wire cross-section, finely stranded, max. (AWG)	AWG 16
Wire cross-section, finely stranded, min. (AWG)	AWG 26	Wire cross-section, solid, max.	1.5 mm ²
Wire cross-section, solid, max. (AWG)	AWG 16	Wire cross-section, solid, min.	0.14 mm ²
Wire cross-section, solid, min. (AWG)	AWG 26		

Automation Products - u-remote IP20 UR20-4AI-RTD-DIAG

Weidmüller Interface GmbH & Co. KG
Klingenbergstraße 26
D-32758 Detmold
Germany
Fon: +49 5231 14-0
Fax: +49 5231 14-292083
www.weidmueller.com

Technical data

General data

Air humidity (operation)	10% to 95%, non-condensing as per DIN EN 61131-2	Air humidity (storage)	10% to 95%, non-condensing as per DIN EN 61131-2
Air humidity (transport)	10% to 95%, non-condensing as per DIN EN 61131-2	Air pressure (operation)	≥ 795 hPa (height ≤ 2000 m) as per DIN EN 61131-2
Air pressure (storage)	1013 hPa (height 0 m) to 700 hPa (height 3000 m) as per DIN EN 61131-2	Air pressure (transport)	1013 hPa (height 0 m) to 700 hPa (height 3000 m) as per DIN EN 61131-2
Pollution severity	2	Shock	15 g over 11 ms, half sinus wave, acc. to IEC 60068-2-27
Surge voltage category	II	Test voltage	500 V
UL 94 flammability rating	V-0	Vibration resistance	5 Hz ≤ f ≤ 8.4 Hz: 3.5-mm amplitude as per IEC 60068-2-6, 8.4 Hz ≤ f ≤ 150 Hz: 1 g acceleration as per IEC 60068-2-6

Power supply

Current consumption from I _{IN} (power segment of the field bus coupler), typ.	8 mA	Current consumption from I _{IN} (the respective power segment)	< 20 mA
Reverse polarity protection	Yes	Voltage supply	24 V DC +20 %/ -15 %, via the system bus

System data

Diagnostic data	20 Byte	Field bus protocol	CANopen, DeviceNet, EtherCAT, EtherNet/IP, Modbus/TCP, PROFINET IRT, PROFIBUS DP-V1, POWERLINK
Galvanic isolation	DC 500 V between current paths	Interface	u-remote system bus
Module type	Temperature module	Parameter data	32 Byte
Process data	8 Byte	Transmission speed of system bus, max.	48 Mbit

Classifications

ETIM 6.0	EC001597	ETIM 7.0	EC001597
eClass 9.0	27-24-26-02	eClass 9.1	27-24-26-02
eClass 10.0	27-24-26-02		

Data sheet

**Automation Products - u-remote IP20
UR20-4AI-RTD-DIAG**

Weidmüller Interface GmbH & Co. KG
Klingenbergstraße 26
D-32758 Detmold
Germany
Fon: +49 5231 14-0
Fax: +49 5231 14-292083
www.weidmueller.com

Technical data

Approvals

Approvals



WATEXIECEX

ROHS Conform

Downloads

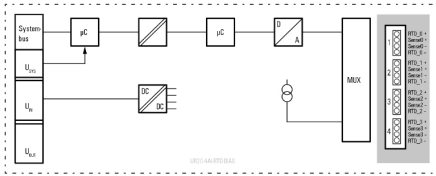
Approval/Certificate/Document of Conformity	Declaration of Conformity Compass safe distance certificate Lloyds Register certificate DNV/GL certificate ABS certificate RINA certificate Bureau Veritas - Type Approval Certificate PRS (Polish Register of Shipping) NIPPON KAIJI KYOKAI Certificate
Engineering Data	EPLAN, WSCAD, Zuken E3.S
Engineering Data	STEP
Product Change Notification	Release-Notes - Firmware
Software	Firmware UR20-4AI-RTD-DIAG UR20-4AI-TC-DIAG Archiv Firmware UR20-4AI-RTD-TC
User Documentation	MAN_U-REMOTE_DE MAN_U-REMOTE_EN

**Automation Products - u-remote IP20
UR20-4AI-RTD-DIAG**

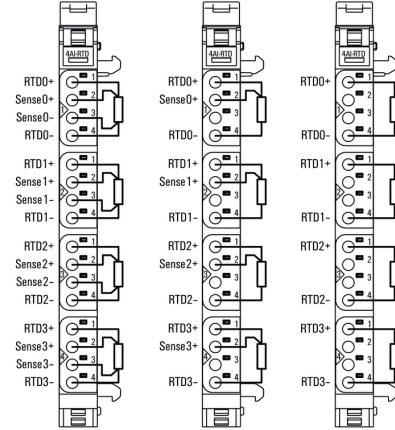
Weidmüller Interface GmbH & Co. KG
Klingenbergstraße 26
D-32758 Detmold
Germany
Fon: +49 5231 14-0
Fax: +49 5231 14-292083
www.weidmueller.com

Drawings

Block diagram



Connection diagram



Automation Products - u-remote IP20 UR20-4AI-RTD-DIAG

Weidmüller Interface GmbH & Co. KG
 Klingenbergstraße 26
 D-32758 Detmold
 Germany
 Fon: +49 5231 14-0
 Fax: +49 5231 14-292083
 www.weidmueller.com

Accessories

Blank



The Dekafix (DEK) marker is the universal marker for all conductor and plug-in connectors as well as for electronic sub-assemblies. The system is ideal for short number sequences and covers a wide range of ready-printed markers.

Strips for fast installation in only one work step. The printing is easy to read, rich in contrast and available in various widths.

- Large range of ready-to-use markers
- Strips for fast installation
- Terminal markers, suitable for all Weidmüller cable connectors
- Available as blank MultiCard or with standard printing

For custom printing: Please send us a file of our labeling software M-Print PRO or M-Print PRO Online (without installation) for your labeling specifications.

General ordering data

Type	DEK 5/8-11.5 MC NE WS	Version
Order No.	1341630000	Dekafix, Terminal marker, 5 x 8 mm, Pitch in mm (P): 8.00
GTIN (EAN)	4050118145946	Weidmueller, white
Qty.	500 pc(s).	

TS 35



General ordering data

Type	TS 35X7.5 2M/AL/BK	Version
Order No.	0330800000	Rail, TS 35, TS 35 x 7.5, without slot, Aluminium, untreated
GTIN (EAN)	4008190100650	
Qty.	2 m	
Type	TS 35X7.5 2M/ST/ZN	Version
Order No.	0383400000	Rail, TS 35, TS 35 x 7.5, without slot, Steel, galvanic zinc plated and passivated
GTIN (EAN)	4008190088026	
Qty.	2 m	
Type	TS 35X7.5/LL 2M/ST/ZN	Version
Order No.	0514500000	Rail, TS 35, TS 35 x 7.5, with slot, Steel, galvanic zinc plated and passivated
GTIN (EAN)	4008190046019	
Qty.	2 m	

Automation Products - u-remote IP20 UR20-4AI-RTD-DIAG

Weidmüller Interface GmbH & Co. KG
 Klingenbergstraße 26
 D-32758 Detmold
 Germany
 Fon: +49 5231 14-0
 Fax: +49 5231 14-292083
 www.weidmueller.com

Accessories

Type	TS 35X7.5/LL 2M/ST/SZ	Version
Order No.	7915060000	Rail, TS 35, TS 35 x 7.5, with slot, Steel, galvanic zinc plated and passivated
GTIN (EAN)	4032248296279	
Qty.	2 m	
Type	TS 35X7.5/LL 1M/ST/ZN	Version
Order No.	0514510000	Rail, TS 35, TS 35 x 7.5, with slot, Steel, galvanic zinc plated and passivated
GTIN (EAN)	4008190116620	
Qty.	1 m	
Type	TS 35X7.5 2M/CRN	Version
Order No.	1747350000	Rail, TS 35, TS 35 x 7.5, without slot, Stainless steel, rust-proof, untreated
GTIN (EAN)	4032248003372	
Qty.	2 m	

Accessories



Potential-distribution modules; system accessory

A wide range of accessory modules is available for individual requirements of machine and plant engineering. Various potential distribution modules are available for the supply of sensors with 2- to 4-wire connection technology directly from the remote I/O system. These offer 16 "PUSH IN" potential points and supply your application with any auxiliary potential available. An empty module, where the system bus and voltage supply are looped through, allows you to plan expansion slots in a system and to start these up without any interruptions if required.

General ordering data

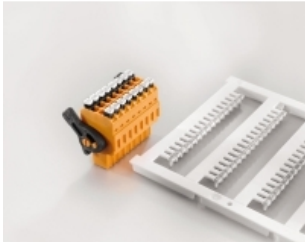
Type	UR20-SM-ACC	Version
Order No.	1339920000	Cover, ,
GTIN (EAN)	4050118144727	
Qty.	20 pc(s).	
Type	UR20-EBK-ACC	Version
Order No.	1346610000	End bracket, ,
GTIN (EAN)	4050118151596	
Qty.	5 pc(s).	

Automation Products - u-remote IP20 UR20-4AI-RTD-DIAG

Weidmüller Interface GmbH & Co. KG
 Klingenbergstraße 26
 D-32758 Detmold
 Germany
 Fon: +49 5231 14-0
 Fax: +49 5231 14-292083
 www.weidmueller.com

Accessories

Blank



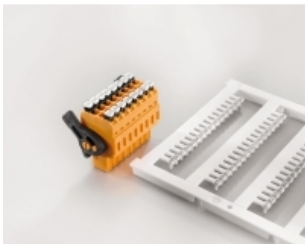
Weidmüller has established new market standards with its MultiCard product line. This system is being continually extended with over 200 variants and by consistently extending the portfolio.

For custom printing: Please send us a file of our labeling software M-Print PRO or M-Print PRO Online (without installation) for your labeling specifications.

General ordering data

Type	PM 2.7/2.6 MC NE WS	Version
Order No.	1323710000	OMNIMATE Signal - series PM, Pusher markers, 2.7 x 2.6 mm, Pitch in
GTIN (EAN)	4050118126778	mm (P): 3.50 Weidmueller, white
Qty.	960 pc(s).	

Custom printing



Weidmüller has established new market standards with its MultiCard product line. This system is being continually extended with over 200 variants and by consistently extending the portfolio.

For custom printing: Please send us a file of our labeling software M-Print PRO or M-Print PRO Online (without installation) for your labeling specifications.

General ordering data

Type	PM 2.7/2.6 MC SDR	Version
Order No.	1323700000	OMNIMATE Signal - series PM, Pusher markers, 2.7 x 2.6 mm, Pitch in
GTIN (EAN)	4050118126761	mm (P): 3.50 Weidmueller, To customer specification
Qty.	192 pc(s).	

Automation Products - u-remote IP20 UR20-4AI-RTD-DIAG

Weidmüller Interface GmbH & Co. KG
 Klingenbergstraße 26
 D-32758 Detmold
 Germany
 Fon: +49 5231 14-0
 Fax: +49 5231 14-292083
 www.weidmueller.com

Accessories

Custom printing



The Dekafix (DEK) marker is the universal marker for all conductor and plug-in connectors as well as for electronic sub-assemblies. The system is ideal for short number sequences and covers a wide range of ready-printed markers.

Strips for fast installation in only one work step. The printing is easy to read, rich in contrast and available in various widths.

- Large range of ready-to-use markers
- Strips for fast installation
- Terminal markers, suitable for all Weidmüller cable connectors
- Available as blank MultiCard or with standard printing

For custom printing: Please send us a file of our labeling software M-Print PRO or M-Print PRO Online (without installation) for your labeling specifications.

General ordering data

Type	DEK 5/8-11.5 MC SDR	Version	
Order No.	1341610000		Dekafix, Terminal marker, 5 x 8 mm, Pitch in mm (P): 8.00
GTIN (EAN)	4050118146059		Weidmueller, To customer specification
Qty.	100 pc(s).		